

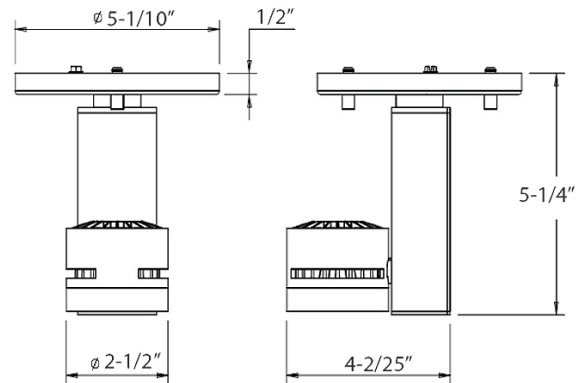
CTL-410 MONOPOINT ARCHITECTURAL LED TRACK LUMINAIRE

Job Name:

Address:



CTL410 Architectural monopoint series is a modern high performance LED luminaire. At only 12.5 watts of power consumption, this highly efficient luminaire produces over 700 lumens of light output and could save you up to 85% in energy cost. With a variety of optics and finish options, the CTL410 monopoint luminaire will be a great addition to any residential or commercial space.



SPECIFICATIONS:

- ✓ 700 Lumens using only 12.5 watts
- ✓ Powered by Philips Luxeon LED's
- ✓ Dimmable down to 10%
- ✓ Available in White, Black and Silver finishes
- ✓ Spot, Flood and Wide Flood optic options
- ✓ Rated LED life of 50,000 hours
- ✓ 5 Year Limited Warranty

LED LIGHT ENGINE: 12.5W, 700 Lumens, 80+ CRI
 COLOR TEMP: 2700K, 3000K, 4000K
 OPTICS: 19° Spot, 30° Flood, 45° Wide Flood
 FINISH: WH-White, BK-Black, SI-Silver
 ADAPTER: H, J and L style track systems
 DIMENSIONS: Width: 4-1/8", Length: 6.25", Depth: 3"
 ADJUSTABILITY: 350° Horizontal and 90° Vertical Adjustability
 DIMMING: 100-10% with electronic low voltage (ELV) dimmer
 ELECTRICAL: 120V – Dimmable
 WARRANTY: 5 Years

ORDERING GUIDE:

Ordering Code Example: CTL410-L1-30K-WH-FL-MP

CTL-410					
MODEL	WATTAGE	COLOR TEMP	FINISH	OPTICS	ADAPTER
L1 - 12.5W	27K - 2700K 30K - 3000K 40K - 4000K	WH - White BK - Black SI - Silver	SP - 19° Spot FL - 30° Flood WF - 45° Wide	MP - Monopoint	